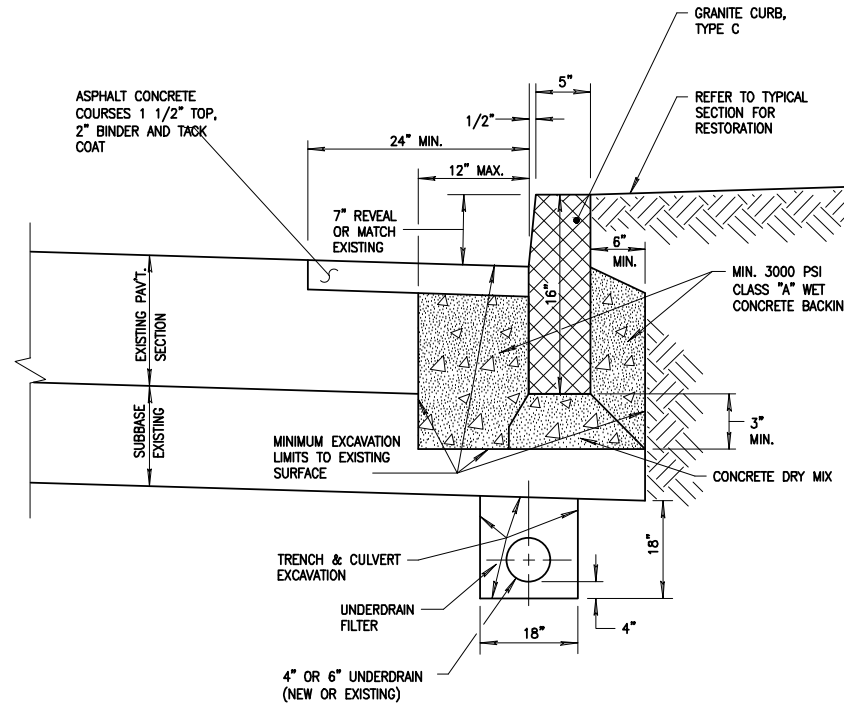


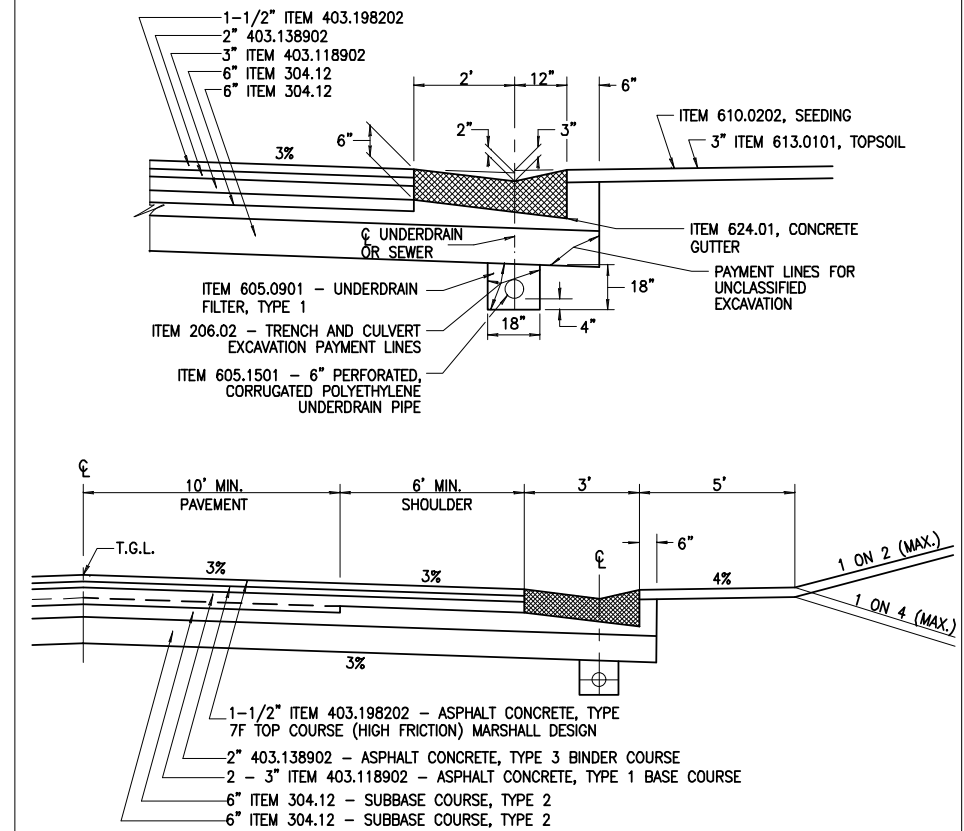
**GRANITE CURB DETAIL WITH PERFORATED UNDERDRAIN**

NOT TO SCALE - REVISED: 06/12/23



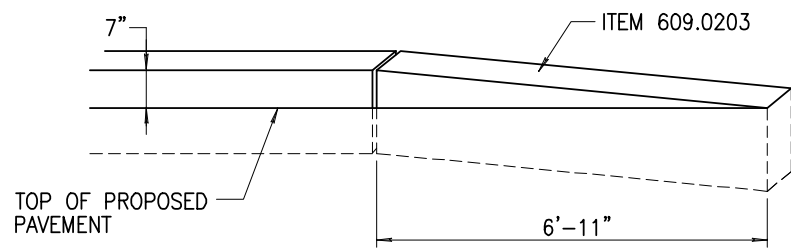
**GRANITE CURB REPLACEMENT WITH PERFORATED UNDERDRAIN**

NOT TO SCALE - REVISED: 06/12/23



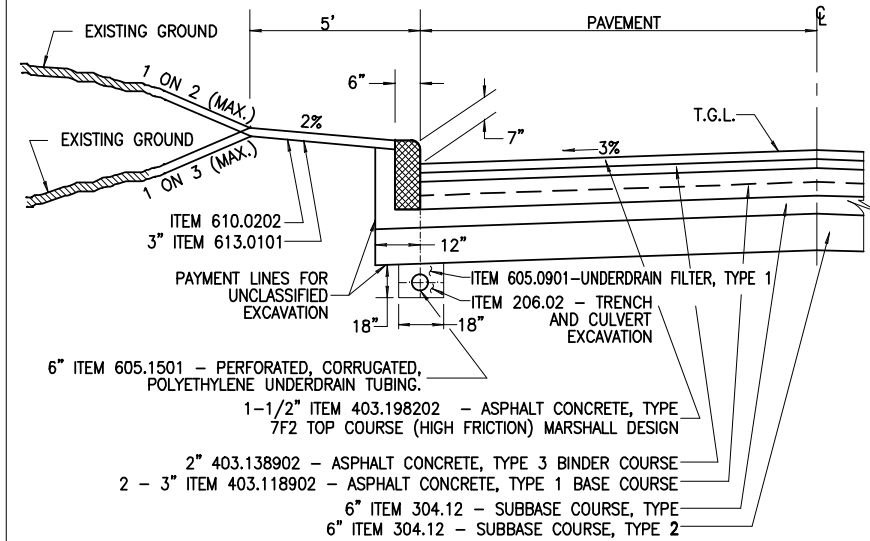
**TYPICAL SECTION WITH GUTTER AND UNDERDRAIN**

NOT TO SCALE - REVISED: 06/12/23



**GRANITE CURB TERMINATION**

NOT TO SCALE - REVISED: 06/12/23



**TYPICAL SECTION WITH CURBS**

NOT TO SCALE - REVISED: 06/12/23

MONROE COUNTY  
DEPT. OF TRANSPORTATION

APPROVED \_\_\_\_\_  
DATE \_\_\_\_\_

APPLICATIONS FOR PERMITS WILL NOW BE ACCEPTED  
THIS PROJECT APPROVAL IS VALID FOR TWO (2) YEARS

NO.	DATE	BY:	REVISION

**CONSULTANT**  
 Consultant Address: (585) 867-5309  
 Rochester, New York XXXXX  
 Fax: (585) 867-5309

**PROJECT MANAGER:** \_\_\_\_\_  
**MANAGER:** \_\_\_\_\_

**DRAWN BY:** \_\_\_\_\_  
**DRAFTER:** \_\_\_\_\_

**DEPARTMENT OF TRANSPORTATION**  
 50 WEST MAIN STREET, SUITE 6100  
 ROCHESTER, NEW YORK 14614-1231  
 UNAUTHORIZED ALTERATION OR ADDITION TO THIS DRAWING IS A VIOLATION OF THE NEW YORK STATE EDUCATION LAW, ARTICLE 145, SECTION 7209

COUNTY ROAD #	PROJECT NAME
	LIMITS
	PROJECT LIMITS
	TOWN
	TOWN
	CAPITAL PROJECT NO.
	XXXX.XX